



A Division of TM Industrial Supply, Inc.  
 1432 Walnut Street Erie, PA 16502-1746 USA  
 Phone (814) 456-1448 Fax (814) 452-6573  
 Email: sales@tmfiltration.com Web: www.tmfiltration.com

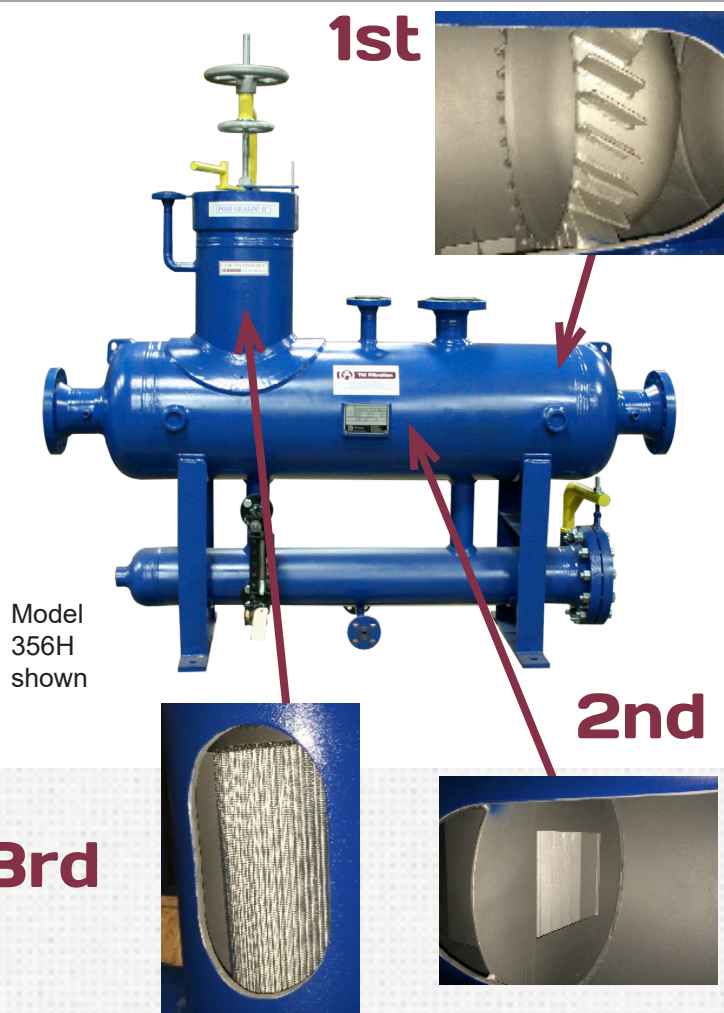
## Mechanical Gas Vane Dryer Model 355H - 356H US Patent # 10,792,604 B2

*TM Filtration's Gas Vane Dryer is an effective and compact way of removing liquids and particulates with an efficiency of 99.99% of 3 micron and larger without the use of chemicals or extra instrumentation required with regenerative desiccant dryers.*

Impingement Plate = 1st phase of liquid and particulate removal.  
 Vane Assembly = 2nd phase of liquid removal.  
 Vertical Coalescing Filter Cartridges = 3rd phase is positioned vertically for better efficiency of discharging accumulated liquids.  
 Quick opening Closure = Filter access through Posi-Sealoc II® (U.S. Patent No. 7,850,751 B2).  
 GFM Technologies® = Cleanable Coalescing Filter Cartridges (U.S. Patent No. 7,332,010).  
 Integral Drain Tank = Keep liquids away from gas flow eliminating re-entrainment.  
 High Pressure Design = Low to high pressure design

### Standards

- Designed, manufactured and tested in accordance with ASME Section VIII Div. 1. ("U" stamp optional)
- Buna-N Seals & commercial non-asbestos gasket. (Spiral wound gasket optional)
- Connections for instrumentation e.g.: level gauges, PRSV, Vent, Drain and Differential Pressure.
- Housings will be blasted and coated internally and externally
- Dimensions and materials of construction and coatings may be customized per special customer application.
- Contact sales for standard dimensions
- 2" through 12" pipeline sizes
- Ratings: 150#, 300#, ANSI/ASME - other ratings available per application



Model 356H shown

### Applications

- Natural Gas Compressor stations
- Skid Filtration Systems
- Combined Cycle Plants
- Heat Exchanger Skid Assemblies
- Natural Gas Well

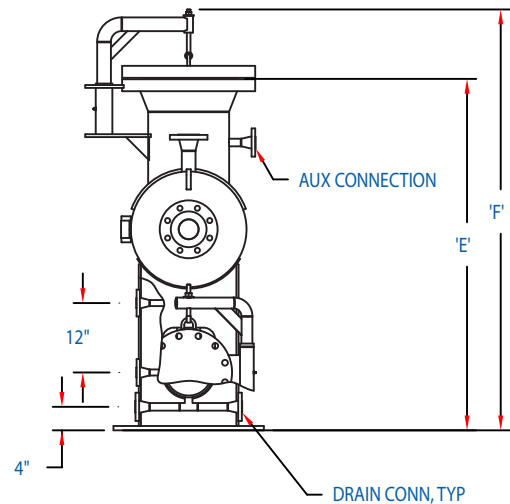
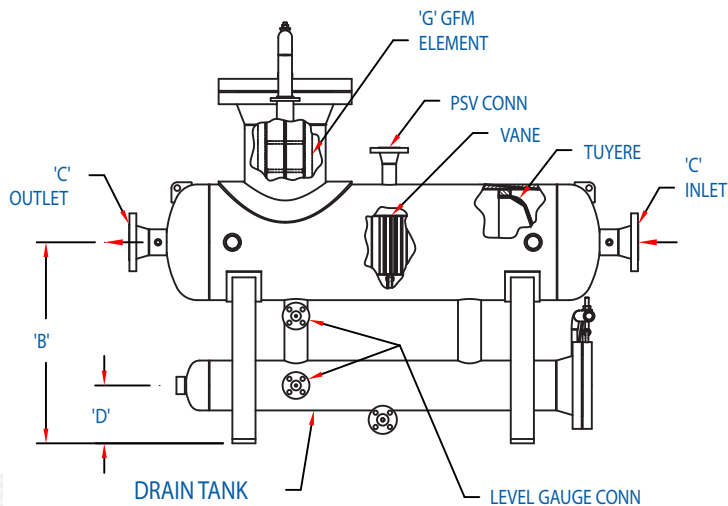
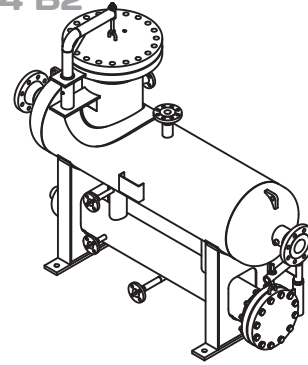
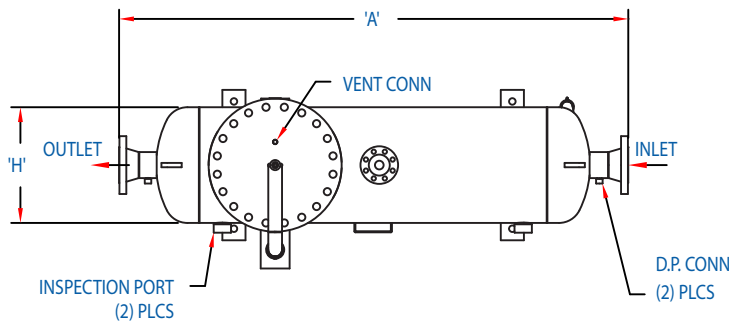
**Solutions for the New Gas Industry**



A Division of TM Industrial Supply, Inc.  
 1432 Walnut Street Erie, PA 16502-1746 USA  
 Phone (814) 456-1448 Fax (814) 452-6573  
 Email: sales@tmfiltration.com Web: www.tmfiltration.com

## Model 355H Bolted Closure

US Patent # 10,792,604 B2



	A	B	C	D	E	F	G	H
2"	78"	36"	2"	12"	54"	66"	#1	16"
3"	78"	36"	3"	12"	54"	66"	#1	16"
4"	90"	34-3/4"	4"	10"	60-3/4"	73"	#4	24"
6"	90"	34-3/4"	6"	10"	60-3/4"	73"	#4	24"
8"	114"	41"	8"	12-3/4"	71"	84"	#5	24"
10"	132"	48"	10"	14-3/4"	78"	91"	#5	30"
12"	132"	48"	12"	14-3/4"	78"	91"	#5	30"

Dimensions subject to change without notice, apply for certified drawings. Custom designs are available, please consult the TM Filtration Sales Department or your local sales representative.

**Solutions for the New Gas Industry**

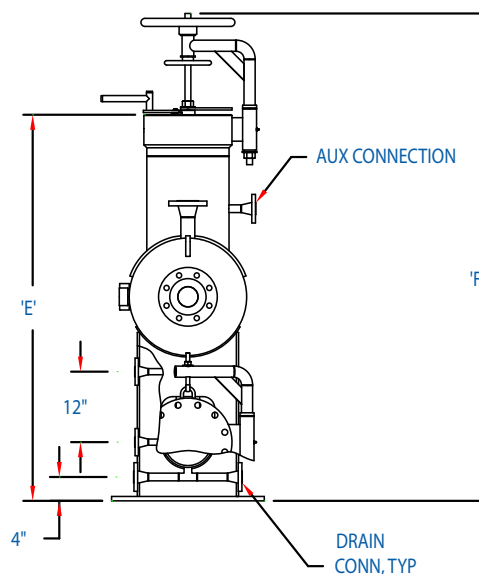
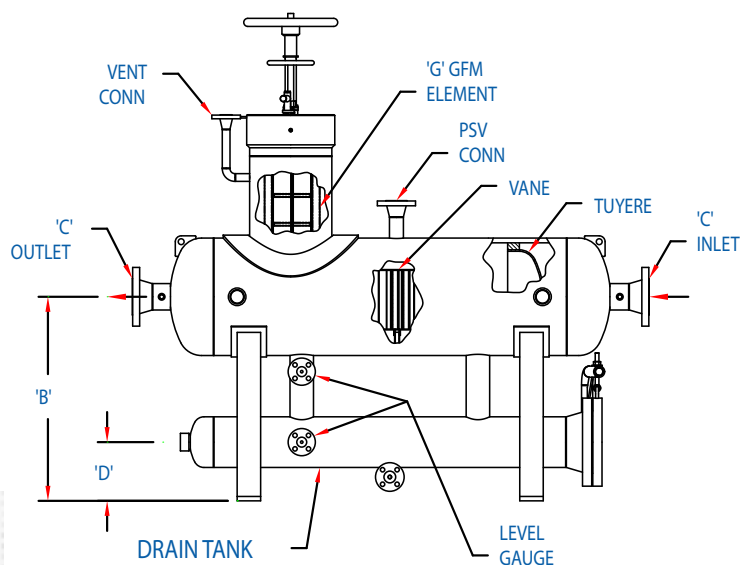
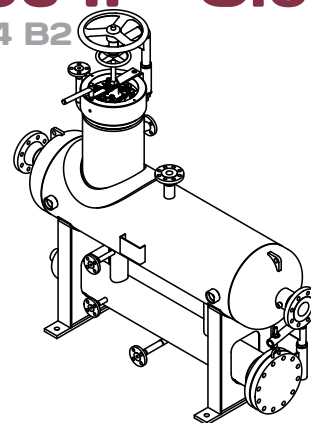
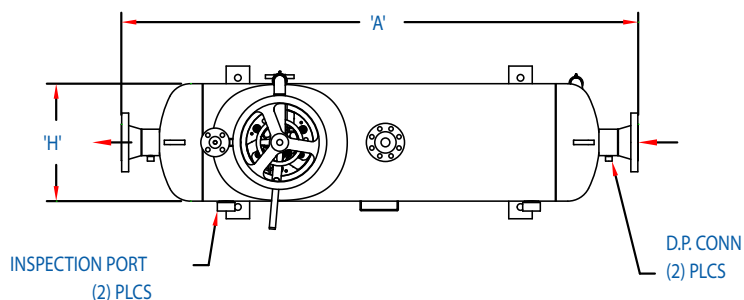


A Division of TM Industrial Supply, Inc.  
 1432 Walnut Street Erie, PA 16502-1746 USA  
 Phone (814) 456-1448 Fax (814) 452-6573

Email: sales@tmfiltration.com Web: www.tmfiltration.com

# Model 356H Posi-Sealoc II™ Closure

US Patent # 10,792,604 B2



	A	B	C	D	E	F	G	H
2"	78"	36"	2"	12"	53"	76"	#1	16"
3"	78"	36"	3"	12"	53"	76"	#1	16"
4"	90"	34-3/4"	4"	10"	65-3/4"	84"	#4	24"
6"	90"	34-3/4"	6"	10"	65-3/4"	84"	#4	24"
8"	114"	41"	8"	12-3/4"	75"	96"	#5	24"
10"	132"	48"	10"	14-3/4"	84"	105"	#5	30"
12"	132"	48"	12"	14-3/4"	84"	105"	#5	30"

Dimensions subject to change without notice, apply for certified drawings. Custom designs are available, please consult the TM Filtration Sales Department or your local sales representative.

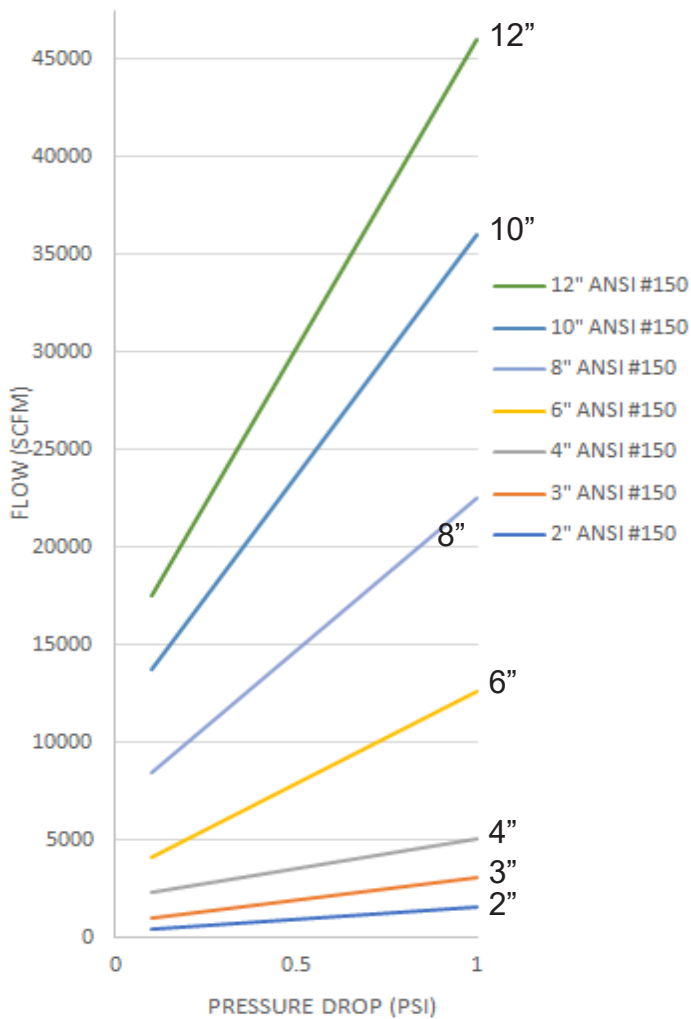
**Solutions for the New Gas Industry**



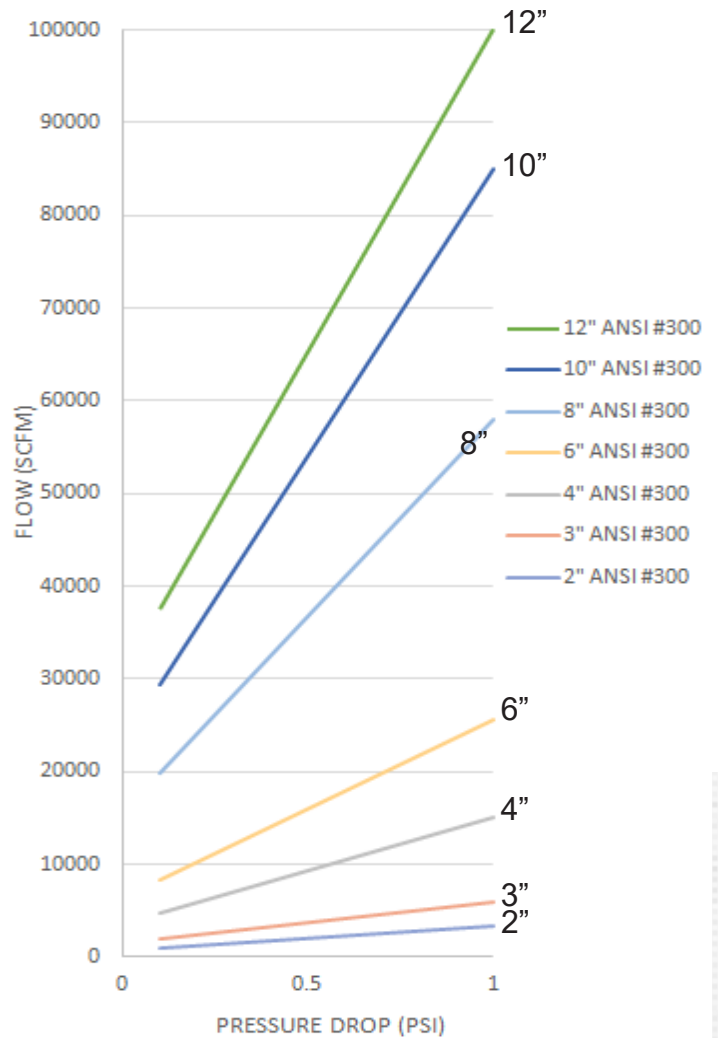
A Division of TM Industrial Supply, Inc.  
 1432 Walnut Street Erie, PA 16502-1746 USA  
 Phone (814) 456-1448 Fax (814) 452-6573  
 Email: sales@tmfiltration.com Web: www.tmfiltration.com

## Mechanical Gas Vane Dryer Model 355H - 356H US Patent # 10,792,604 B2

SIZING CHART #150



SIZING CHART #300



Solutions for the New Gas Industry